

WHELEN[®]

ENGINEERING COMPANY INC.

Route 145, Winthrop Road,

Chester, Connecticut 06412

Phone: (860) 526-9504

Fax: (860) 526-4078

Internet: www.whelen.com

Sales e-mail: autosale@whelen.com

Canadian Sales e-mail: autocan@whelen.com

Customer Service e-mail: custserv@whelen.com

Installation Guide: Dominator™ TA-series

Safety First

This document provides all the necessary information to allow your Whelen product to be properly and safely installed. Before beginning the installation and/or operation of your new product, the installation technician and operator must read this manual completely. Important information is contained herein that could prevent serious injury or damage.

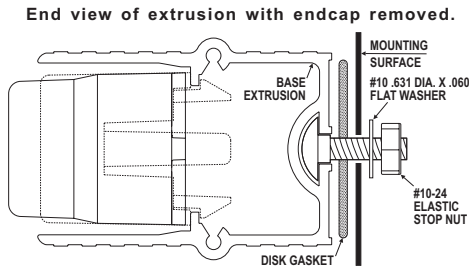
- **Proper installation of this product requires the installer to have a good understanding of automotive electronics, systems and procedures.**
- **If mounting this product requires drilling holes, the installer MUST be sure that no vehicle components or other vital parts could be damaged by the drilling process. Check both sides of the mounting surface before drilling begins. Also de-burr any holes and remove any metal shards or remnants. Install grommets into all wire passage holes.**
- **If this manual states that this product may be mounted with tape or Velcro™, clean the mounting surface with a 50/50 mix of isopropyl alcohol and water and dry thoroughly.**
- **Do not install this product or route any wires in the deployment area of your air bag. Equipment mounted or located in the air bag deployment area will damage or reduce the effectiveness of the air bag, or become a projectile that could cause serious personal injury or death. Refer to your vehicle owners manual for the air bag deployment area. The User/Installer assumes full responsibility to determine proper mounting location, based on providing ultimate safety to all passengers inside the vehicle.**
- **For this product to operate at optimum efficiency, a good electrical connection to chassis ground must be made. The recommended procedure requires the product ground wire to be connected directly to the NEGATIVE (-) battery post.**
- **If this product uses a remote device to activate or control this product, make sure that this control is located in an area that allows both the vehicle and the control to be operated safely in any driving condition.**
- **Do not attempt to activate or control this device in a hazardous driving situation.**
- **This product contains either strobe light(s), halogen light(s), high-intensity LEDs or a combination of these lights. Do not stare directly into these lights. Momentary blindness and/or eye damage could result.**
- **Use only soap and water to clean the outer lens. Use of other chemicals could result in premature lens cracking (crazing) and discoloration. Lenses in this condition have significantly reduced effectiveness and should be replaced immediately. Inspect and operate this product regularly to confirm its proper operation and mounting condition. Do not use a pressure washer to clean this product.**
- **It is recommended that these instructions be stored in a safe place and referred to when performing maintenance and/or reinstallation of this product.**
- **FAILURE TO FOLLOW THESE SAFETY PRECAUTIONS AND INSTRUCTIONS COULD RESULT IN DAMAGE TO THE PRODUCT OR VEHICLE AND/OR SERIOUS INJURY TO YOU AND YOUR PASSENGERS!**

For warranty information regarding this product, visit www.whelen.com/warranty

Installation:

WARNING! When the Traffic Advisor is mounted to the rear of the vehicle, the cable exit must be on the passenger side. If not, the flash sequence you choose on the control head will be incorrect. For example a left flashing pattern will flash right.

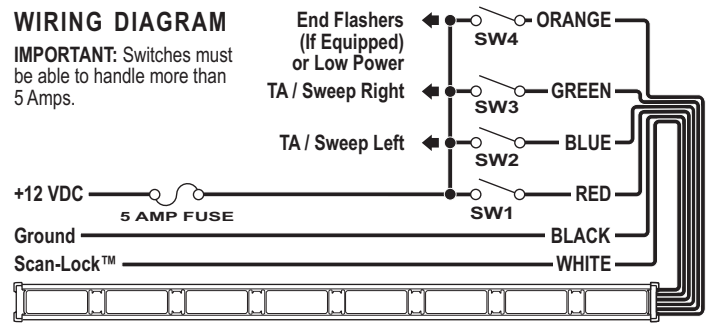
- Position the unit in its proposed mounting location to ensure that it fits properly. Draw a pencil line on the mounting surface using the top and bottom of the extrusion as a guide.
- Two 1/4" holes are required to mount this unit. These holes may be located anywhere along the horizontal centerline of the unit, but must be centered between the upper and lower lines made in step 1. It's best to locate the mounting holes as far apart as possible.
- Drill a hole in each of the areas scribed in the last step (1/4" drill bit).
- Slide the 2 carriage bolts (installed in the rear of the bar) over to the 2 mounting holes, install the rubber gaskets onto the bolts as shown then insert them into the mounting holes
- Secure the unit by threading the flat washer and elastic stop nut onto each bolt and tightening them firmly.



WARNING! All customer supplied wires that connect to the positive terminal of the battery must be sized to supply at least 125% of the maximum operating current and FUSED at the battery to carry the load. DO NOT USE CIRCUIT BREAKERS WITH THIS PRODUCT!

WIRING DIAGRAM

IMPORTANT: Switches must be able to handle more than 5 Amps.



Scan-Lock™ can select a different pattern for END FLASHERS, TA and FLASHERS.

Patterns: Flashers or End Flashers:

SignalAlert™75 > CometFlash@75 > SingleFlash 375 > SingleFlash 150 > SingleFlash 75 > Action Flash™ > Action Scan™

Patterns for TA: Seq. on Solid > Seq.-on-Seq. Off > 1 Lamp Triple Flash > 2 Lamp Triple Flash

FUNCTION	SWITCHES			
	SW1	SW2	SW3	SW4
Left Sweep	ON	ON	OFF	OFF
Right Sweep	ON	OFF	ON	OFF
Split Sweep	ON	ON	ON	OFF
TA Flasher	ON	OFF	OFF	OFF
End Flashers	X	X	X	ON

X = Switch position doesn't affect operation.

Low Power / Orange Wire: If your lightbar is not equipped with End Flashers the ORANGE wire will activate Low Power. This feature steps the lightbar down to low power for nighttime use. Applying +12 volts to the ORANGE wire holds the Traffic Advisor in low power mode until voltage is removed. (A toggle switch is recommended)

Scan-Lock™ / White Wire:

Operation: With the lightbar switched on, activate whichever function you wish to change the flash pattern of and follow the instructions below.

TO CYCLE THROUGH ALL PATTERNS: Apply +12 volts to the WHITE wire for less than 1 second and release to cycle forward. Apply +12 volts to the WHITE wire for more than 1 second and release to cycle backward.

TO SET A PATTERN AS DEFAULT: Allow the desired pattern to run for more than 5 seconds. The lighthead will now display this pattern when active.

TO RESET TO THE FACTORY DEFAULT PATTERN: Turn off power and apply +12 volts to the WHITE wire while turning power on.

You may want to connect the Scan-Lock™ wire to a switch. An SPST momentary switch is recommended.

IMPORTANT WARNING!

CAUTION! DO NOT LOOK DIRECTLY AT THESE LED'S WHILE THEY ARE ON. MOMENTARY BLINDNESS AND/OR EYE DAMAGE COULD RESULT!

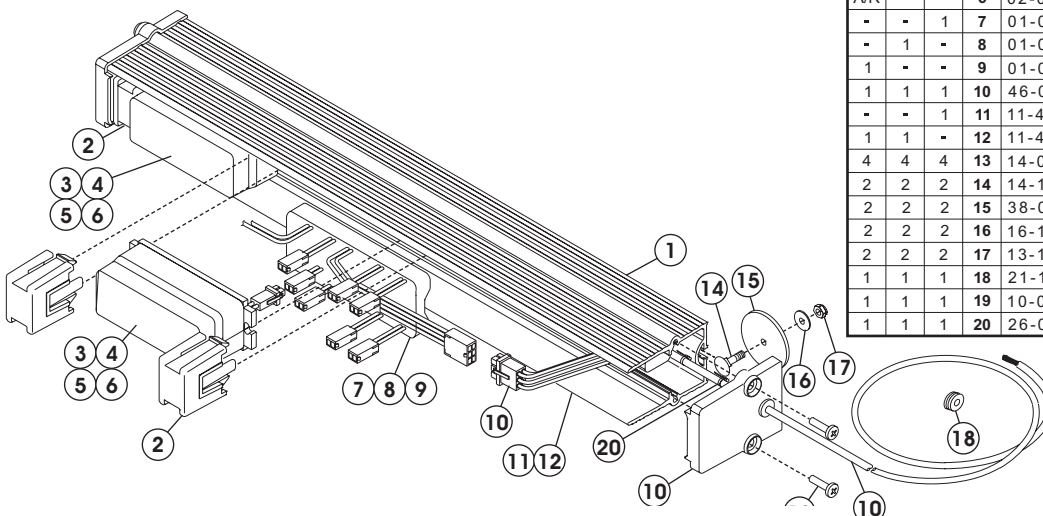
PART NUMBER KEY:
For TA 8 Light with End Flashers
01-0684608-

#2 End Flasher Color
#1 End Flasher Color

END FLASHER COLORS:

- 1 = AMBER
- 2 = BLUE
- 3 = WHITE
- 4 = RED

IMPORTANT! Before returning this vehicle to active service, visually confirm the proper operation of this product, as well as all vehicle components/equipment.



QTY	QTY	QTY	ITEM	PART NUMBER	DESCRIPTION	"A"
		*		01-0684608-06	TA / DOMINATOR - 6 LIGHTHEAD	23.26
		*		01-0684608-08	TA / DOMINATOR - 8 LIGHTHEAD	30.36
		*		01-0684608-__	TA / DOMINATOR - 6 / END FLASHERS	30.36
1	1	1	1	11-263726-000	ENDCAP / 3 / TIR EXTR. MT. without HOLE	
9	9	7	2	38-0463725-00	DIVIDER / EXTRUSION MOUNT	
A/R	8	6	3	02-036B494612	LIGHTHEAD ASS'Y, 3TIR LED (AMB-STEADY)	
A/R	-	-	4	02-036B494622	LIGHTHEAD ASS'Y, 3TIR LED (BLU-STEADY)	
A/R	-	-	5	02-036B494632	LIGHTHEAD ASS'Y, 3TIR LED (WHT-STEADY)	
A/R	-	-	6	02-036B494652	LIGHTHEAD ASS'Y, 3TIR LED (RED-STEADY)	
-	-	1	7	01-0269778-A6	MODULE ASSY / TA - 6 LIGHT	
-	1	-	8	01-0269778-A8	MODULE ASSY / TA - 8 LIGHT	
1	-	-	9	01-0269778A6F	MODULE ASSY, TA 8 with END FLASHERS	
1	1	1	10	46-0743389-00	CABLE ASSY with CONNECTOR & ENDCAP	
-	-	1	11	11-443031-022	EXTRUSION / MACH'D - 22.90 3TIR TA	
1	1	-	12	11-443031-030	EXTRUSION / MACH'D - 30.00 3TIR TA	
4	4	4	13	14-062219-06D	SCREW / #6-32 X 3/8 PPHMS ROLOK ZN	
2	2	2	14	14-104066-100	CARRIAGE BOLT / #10-24 X 5/8 LG SS	
2	2	2	15	38-0223063-00	GASKET / DISK	
2	2	2	16	16-1002220-50	WASHER / #10 FLAT .631 DIA. X .060	
2	2	2	17	13-104120-062	NUT / #10-24 ELASTIC STOP	
1	1	1	18	21-11121602-0	GROMMET 1/2"	
1	1	1	19	10-0523299-__	LABEL / not shown	
1	1	1	20	26-0215001-06	TY WRAP / 6" BLACK	