

WHELEN[®]

ENGINEERING COMPANY INC.

Route 145, Winthrop Road,
Chester, Connecticut 06412

Phone: (860) 526-9504

Fax: (860) 526-4078

Internet: www.whelen.com

Sales e-mail: autosale@whelen.com

Canadian Sales e-mail: autocan@whelen.com

Customer Service e-mail: custserv@whelen.com

Installation Guide: 500-series LED Lighthouse

Safety First

This document provides all the necessary information to allow your Whelen product to be properly and safely installed. Before beginning the installation and/or operation of your new product, the installation technician and operator must read this manual completely. Important information is contained herein that could prevent serious injury or damage.

- **Proper installation of this product requires the installer to have a good understanding of automotive electronics, systems and procedures.**
- **If mounting this product requires drilling holes, the installer MUST be sure that no vehicle components or other vital parts could be damaged by the drilling process. Check both sides of the mounting surface before drilling begins. Also de-burr any holes and remove any metal shards or remnants. Install grommets into all wire passage holes.**
- **If this manual states that this product may be mounted with suction cups, magnets, tape or Velcro™, clean the mounting surface with a 50/50 mix of isopropyl alcohol and water and dry thoroughly.**
- **Do not install this product or route any wires in the deployment area of your air bag. Equipment mounted or located in the air bag deployment area will damage or reduce the effectiveness of the air bag, or become a projectile that could cause serious personal injury or death. Refer to your vehicle owners manual for the air bag deployment area. The User/Installer assumes full responsibility to determine proper mounting location, based on providing ultimate safety to all passengers inside the vehicle.**
- **For this product to operate at optimum efficiency, a good electrical connection to chassis ground must be made. The recommended procedure requires the product ground wire to be connected directly to the NEGATIVE (-) battery post.**
- **If this product uses a remote device to activate or control this product, make sure that this control is located in an area that allows both the vehicle and the control to be operated safely in any driving condition.**
- **Do not attempt to activate or control this device in a hazardous driving situation.**
- **This product contains either strobe light(s), halogen light(s), high-intensity LEDs or a combination of these lights. Do not stare directly into these lights. Momentary blindness and/or eye damage could result.**
- **Use only soap and water to clean the outer lens. Use of other chemicals could result in premature lens cracking (crazing) and discoloration. Lenses in this condition have significantly reduced effectiveness and should be replaced immediately. Inspect and operate this product regularly to confirm its proper operation and mounting condition. Do not use a pressure washer to clean this product.**
- **It is recommended that these instructions be stored in a safe place and referred to when performing maintenance and/or reinstallation of this product.**
- **FAILURE TO FOLLOW THESE SAFETY PRECAUTIONS AND INSTRUCTIONS COULD RESULT IN DAMAGE TO THE PRODUCT OR VEHICLE AND/OR SERIOUS INJURY TO YOU AND YOUR PASSENGERS!**

For warranty information regarding this product, visit www.whelen.com/warranty

IMPORTANT NOTICE! Prior to installing this product on any vehicle, check your state motor vehicle codes to confirm that this product complies with all state statutes.

Installation:

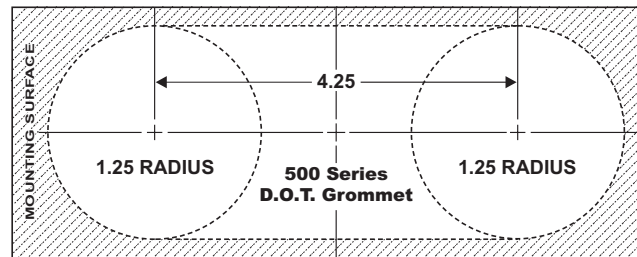
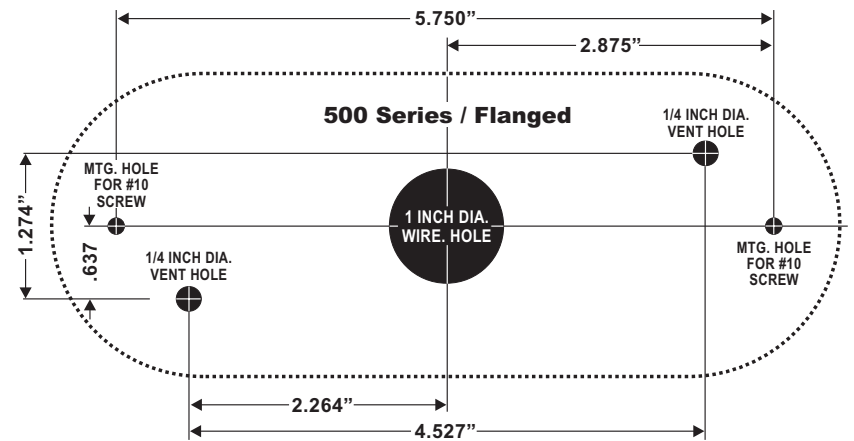
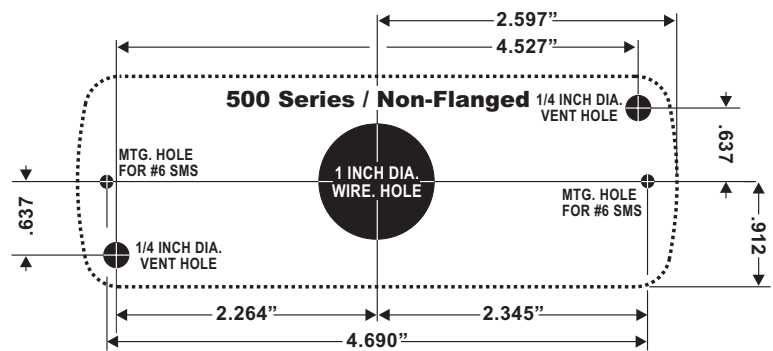
1. First, mark the mounting, wire access and vent holes using the measurements shown. Drill the holes to the sizes noted.

IMPORTANT: Templates are not to scale. Check all measurements before drilling.

2. Thread the wires through the rubber gasket, through the wire access hole and to your power source. Use a rubber grommet (Customer Supplied) to protect the wires from the edge of the wire access hole.
Wire designations are listed on the next page.

3. Attach light to vehicle using the supplied hardware.
4. Connect the lighthead wires to your power source.
IMPORTANT: Any customer supplied wire must be a minimum of 22 gauge.

NOTE: This product draws significantly less current than a standard automotive bulb. If your flasher does not operate properly, it may be necessary to replace your existing flasher module with a Whelen 3TERM flasher module. Contact your sales representative for specific vehicle information.



Pattern Selection:

WARNING: PATTERN SELECTION REQUIRES THE LED TO BE TURNED ON. DO NOT LOOK DIRECTLY AT LED's WHILE UNIT IS IN OPERATION.

PATTERN SELECTION PROCEDURE / Scan-Lock™:

Locate the WHITE-VIOLET (Scan-Lock™) wire then turn the lighthead on.

TO CYCLE FORWARD THROUGH PATTERNS: Apply +VBAT to the WHT/VIO wire for less than 1 second and release. Repeat to advance to the next pattern.

TO CHOOSE A PATTERN: While cycling through patterns, allow a pattern to run for more than 5 seconds. This will become the default pattern.

TO CYCLE BACKWARDS THROUGH PATTERNS: Apply +VBAT to the WHT/VIO wire for more than 1 second and release.

TO RESET THE LIGHthead TO THE DEFAULT PATTERN: Turn the lighthead off. While applying +VBAT to the WHT/VIO wire, turn the lighthead on. Continue to apply voltage until the default pattern is active (approximately 3 seconds).

AVAILABLE FLASH PATTERNS:

- | | | |
|--------------------|--------------------|------------------------|
| 1. SignalAlert 75 | 6. SingleFlash 15 | 11. ModuFlash |
| 2. SignalAlert 150 | 7. DoubleFlash 150 | 12. ComAlert |
| 3. SingleFlash 375 | 8. DoubleFlash 75 | 13. ActionScan |
| 4. SingleFlash 150 | 9. CometFlash 75 | 14. SignalAlert Steady |
| 5. SingleFlash 75 | 10. ActionFlash | 15. Steady (Brake) |

Part Number Key:

Flanged:
01-0683558



STYLE

- 0 = STEADY
- 5 = WIDE ANGLE
- 7 = BACK-UP
- 8 = CLEARANCE
- B = BRAKE-TAIL-TURN (MAX)
- G = BACK-UP 24V
- H = GROUND LIGHT
- E = BRAKE-TAIL-TURN (MAX) 24VOLT
- K = WIDE ANGLE 24 VOLT

LED & LENS COLOR

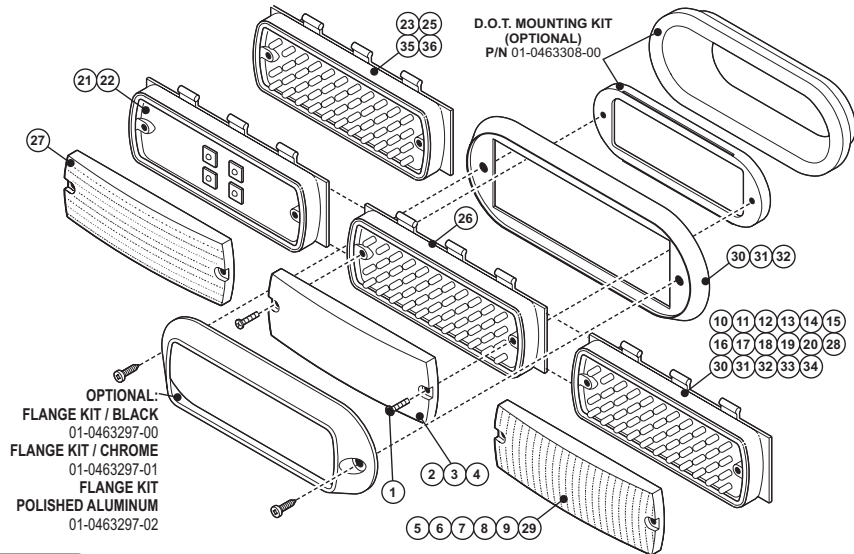
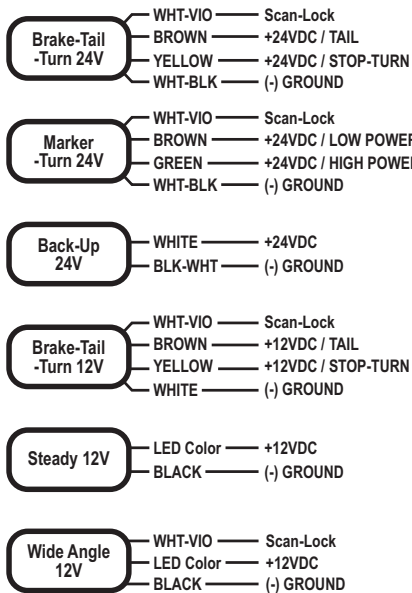
- A = AMBER / AMBER
- B = BLUE / BLUE
- C = WHITE / CLEAR
- G = GREEN / GREEN
- R = RED / RED
- 1 = AMBER / CLEAR
- 2 = BLUE / CLEAR
- 4 = GREEN / CLEAR
- 5 = RED / CLEAR

TERMINATION

- 0 = NONE

QTY	QTY	QTY	QTY	QTY	QTY	QTY	QTY	QTY	QTY	QTY	QTY	QTY	ITEM	PART NUMBER	DESCRIPTION
												*		01-06835580__0	LIGHTHEAD 500 LED FLANGED / STEADY
												*		01-06835585__0	LIGHTHEAD 500 LED FLANGED / WIDE ANGLE
												*		01-06835587C0	LIGHTHEAD 500 LED FLANGED BACK-UP / WHITE
												*		01-06835588__0	LIGHTHEAD 500 LED FLANGED CLEARANCE
							*							01-0683558BR0	LIGHTHEAD 500 LED FLANGED BRAKE-TAIL-TURN / MAX
								*						01-0683558BA0	LIGHTHEAD 500 LED FLANGED MARKER/TURN / AMBER
								*						01-0683558HC0	LIGHTHEAD 500 LED FLANGED GROUND LIGHT / WHITE
							*							01-0683558GC0	LIGHTHEAD 500 LED FLANGED BACK-UP / 24V / WHITE
							*							01-0683558K__0	LIGHTHEAD 500 LED FLANGED WIDE ANGLE / 24V
							*							01-0683558ER0	LIGHTHEAD 500 LED FLANGED BRAKE-TAIL-TURN / MAX / 24V
							*							01-0683558EA0	LIGHTHEAD 500 LED FLANGED MARKER-TURN / AMBER 24V
2	2	2	2	2	2	2	2	2	2	2	2	2	1	15-065419-060	SCREW / #6 X 3/8" PPH PLASTI-LOC
1	-	-	-	-	-	1	-	A/R	-	-	-	-	2	68-3963228-10	LENS / NON OPTIC / AMBER
-	-	-	-	-	-	-	-	-	-	-	-	-	3	68-3963228-30	LENS / NON OPTIC / CLEAR
-	1	-	-	-	-	1	A/R	-	-	-	-	-	4	68-3963228-50	LENS / NON OPTIC / RED
-	-	A/R	-	-	-	-	-	-	A/R	A/R	-	-	5	68-1963583-10	LENS / OPTIC / AMBER
-	-	A/R	-	-	-	-	-	-	A/R	A/R	-	-	6	68-1963583-20	LENS / OPTIC / BLUE
-	-	A/R	-	-	-	-	-	-	A/R	A/R	-	-	7	68-1963583-30	LENS / OPTIC / CLEAR
-	-	A/R	-	-	-	-	-	-	A/R	A/R	-	-	8	68-1963583-40	LENS / OPTIC / GREEN
-	-	A/R	-	-	-	-	-	-	A/R	A/R	-	-	9	68-1963583-50	LENS / OPTIC / RED
-	-	-	-	-	-	-	-	-	-	-	A/R	-	10	01-0263265-10	SUB ASSY / 500 LED FLANGED STEADY / AMBER
-	-	-	-	-	-	-	-	-	-	-	A/R	-	11	01-0263265-20	SUB ASSY / 500 LED FLANGED STEADY / BLUE
-	-	-	-	-	-	-	-	-	-	-	A/R	-	12	01-0263265-30	SUB ASSY / 500 LED FLANGED STEADY / WHITE
-	-	-	-	-	-	-	-	-	-	-	A/R	-	13	01-0263265-40	SUB ASSY / 500 LED FLANGED STEADY / GREEN
-	-	-	-	-	-	-	-	-	-	-	A/R	-	14	01-0263265-50	SUB ASSY / 500 LED FLANGED STEADY / RED
-	-	-	-	-	-	-	-	-	-	-	A/R	-	15	01-0263265-15	SUB ASSY / 500 LED FLANGED FLASHER / AMBER
-	-	-	-	-	-	-	-	-	-	-	A/R	-	16	01-0263265-25	SUB ASSY / 500 LED FLANGED FLASHER / BLUE
-	-	-	-	-	-	-	-	-	-	-	A/R	-	17	01-0263265-35	SUB ASSY / 500 LED FLANGED FLASHER / WHITE
-	-	-	-	-	-	-	-	-	-	-	A/R	-	18	01-0263265-45	SUB ASSY / 500 LED FLANGED FLASHER / GREEN
-	-	-	-	-	-	-	-	-	-	-	A/R	-	19	01-0263265-55	SUB ASSY / 500 LED FLANGED FLASHER / RED
-	-	-	-	-	-	-	-	-	-	1	-	-	20	01-0263265-37	SUB ASSY / 500 LED FLANGED BACK-UP / WHITE
-	-	-	-	-	-	-	-	-	-	A/R	-	-	21	01-0263314-11	SUB ASSY / 500 LED FLANGED CLEARANCE / AMBER
-	-	-	-	-	-	-	-	-	-	A/R	-	-	22	01-0263314-51	SUB ASSY / 500 LED FLANGED CLEARANCE / RED
-	-	-	-	-	-	1	-	-	-	-	-	-	23	01-0263265-5B	SUB ASSY / 500 LED FLANGED BRAKE-TAIL-TURN / MAX
1	1	1	1	1	1	1	1	1	1	1	1	1	24	10-0522795-__	LABEL / MODEL 500 LED FLANGED / not shown
-	-	-	-	-	-	1	-	-	-	-	-	-	25	01-0263265-1B	SUB ASSY / 500 LED FLANGED MARKER-TURN / AMBER
-	-	-	-	-	-	1	-	-	-	-	-	-	26	01-0263265-39	SUB ASSY / 500 LED FLANGED COMP / GROUND / WHITE
-	-	-	-	-	-	1	-	-	-	-	-	-	27	68-1963546-30	LENS / OPTIC SCENE / CLEAR
-	-	-	-	-	-	1	-	-	-	-	-	-	28	01-0263265-3G	SUB ASSY / 500 LED FLANGED BACK-UP / 24V / WHITE
-	-	-	-	-	-	1	-	-	-	1	-	-	29	68-1963428-30	LENS / OPTIC 45° / CLEAR
-	-	A/R	-	-	-	-	-	-	-	-	-	-	30	01-0263265-1K	SUB ASSY / 500 LED FLANGED FLASHER / AMBER / 24V
-	-	A/R	-	-	-	-	-	-	-	-	-	-	31	01-0263265-2K	SUB ASSY / 500 LED FLANGED FLASHER / BLUE / 24V
-	-	A/R	-	-	-	-	-	-	-	-	-	-	32	01-0263265-3K	SUB ASSY / 500 LED FLANGED FLASHER / WHITE / 24V
-	-	A/R	-	-	-	-	-	-	-	-	-	-	33	01-0263265-4K	SUB ASSY / 500 LED FLANGED FLASHER / GREEN / 24V
-	-	A/R	-	-	-	-	-	-	-	-	-	-	34	01-0263265-5K	SUB ASSY / 500 LED FLANGED FLASHER / RED / 24V
-	1	-	-	-	-	-	-	-	-	-	-	-	35	01-0263265-5E	SUB ASSY / 500 LED FLANGED BRAKE-TAIL-TURN / MAX / 24V
1	-	-	-	-	-	-	-	-	-	-	-	-	36	01-0263265-1E	SUB ASSY / 500 LED FLANGED MARKER / TURN / AMBER / 24V

Wiring:



500 SERIES LED

Specifications

BRAKE / TAIL / TURN

LED Assembly 44 LED's
 Input Voltage 12.8 VDC ±20%
 Input Current / Tail 0.235 AMPS
 Input Current / Brake 0.035 AMPS
 Default Pattern Signal Alert™ Brake

BACK-UP / 12VDC

Input Voltage 12.8 VDC ±20%
 Input Current 0.320 AMPS
 Default Pattern Steady

BACK-UP / 24VDC

Input Voltage 25.6 VDC ±20%
 Input Current 0.160 AMPS
 Default Pattern Steady

FLASHER

Input Voltage 12.8 VDC ±20%
 Input Current 0.235 AMPS
 Default Pattern Signal Alert™ 75

STEADY

Input Voltage 12.8 VDC ±20%
 Input Current 0.30 AMPS
 Default Pattern Steady

Part Number Key:

Non-Flanged:
 01-0683557

TERMINATION or
 NUMBER of LEDs
 LENS/LED COLOR
 STYLE

STYLE

- 0 = STEADY
- 5 = WIDE ANGLE
- 7 = BACK-UP
- 8 = CLEARANCE
- 9 = COMPARTMENT
- B = BRAKE-TAIL-TURN (MAX)
- G = BACK-UP 24V
- H = GROUND LIGHT
- E = BRAKE-TAIL-TURN (MAX) 24VOLT
- K = WIDE ANGLE 24 VOLT

LED & LENS COLOR

- A = AMBER / AMBER
- B = BLUE / BLUE
- C = WHITE / CLEAR
- G = GREEN / GREEN
- R = RED / RED
- 1 = AMBER / CLEAR
- 2 = BLUE / CLEAR
- 4 = GREEN / CLEAR
- 5 = RED / CLEAR

NUMBER OF LED's

- (COMPARTMENT)
- 1 = 12
 - 2 = 24
 - 4 = 48
 - 7 = 72

TERMINATION

- 0 = NONE
- 1 = DEUTSCH

QTY	QTY	QTY	QTY	QTY	QTY	QTY	QTY	QTY	QTY	QTY	QTY	QTY	QTY	QTY	QTY	QTY	ITEM	PART NUMBER	DESCRIPTION		
																*		01-06835570__0	LIGHTHEAD 500 LED NON-FLANGED / STEADY		
																*		01-06835575__0	LIGHTHEAD 500 LED NON-FLANGED / WIDE ANGLE		
																*		01-06835577C__	LIGHTHEAD 500 LED NON-FLANGED BACK-UP / WHITE		
																*		01-06835578__0	LIGHTHEAD 500 LED NON-FLANGED / CLEARANCE		
																*		01-0683557BR0	LIGHTHEAD 500 LED NON-FLANGED / BRAKE-TAIL-TURN / MAX		
																*		01-06835579C1	LIGHTHEAD 500 LED NON-FLANGED COMPARTMENT / 12 LEDs / WHITE		
																*		01-06835579C2	LIGHTHEAD 500 LED NON-FLANGED COMPARTMENT / 24 LEDs / WHITE		
																*		01-06835579C4	LIGHTHEAD 500 LED NON-FLANGED COMPARTMENT / 48 LEDs / WHITE		
																*		01-06835579C7	LIGHTHEAD 500 LED NON-FLANGED COMPARTMENT / 72 LEDs / WHITE		
																*		01-06835579C0	LIGHTHEAD 500 LED NON-FLANGED COMPARTMENT / WHITE		
																*		01-0683557HC0	LIGHTHEAD 500 LED NON-FLANGED GROUND LIGHT / WHITE		
																*		01-06835575__1	LIGHTHEAD 500 LED NON-FLANGED WIDE ANGLE / DEUTSCH		
																*		01-0683557GC__	LIGHTHEAD 500 LED NON-FLANGED BACK-UP / 24V / WHITE		
																*		01-0683557K__0	LIGHTHEAD 500 LED NON-FLANGED WIDE ANGLE 24V		
																*		01-0683557ER0	LIGHTHEAD 500 LED NON-FLANGED BRAKE-TAIL-TURN / MAX / 24V		
2	2	2	2	2	2	2	2	2	2	2	2	2	2	2	2	2	1	15-061416-200	SCREW / #6 X 1-1/4" PPH SHEET METAL		
-	-	-	-	-	-	-	-	-	-	-	-	-	-	-	-	-	A/R	2	68-3963228-10	LENS / NON OPTIC / AMBER	
-	-	-	-	-	-	-	-	-	-	-	-	-	-	-	-	-	-	A/R	3	68-3963228-10	LENS / NON OPTIC / BLUE
-	-	-	-	-	-	-	-	-	-	-	-	-	-	-	-	-	-	A/R	4	68-3963228-30	LENS / NON OPTIC / CLEAR
-	-	-	-	-	-	-	-	-	-	-	-	-	-	-	-	-	-	A/R	5	68-3963228-10	LENS / NON OPTIC / GREEN
1	-	-	-	-	-	-	-	-	-	-	-	-	-	-	-	-	1	A/R	6	68-3963228-50	LENS / NON OPTIC / RED
-	A/R	-	-	-	-	-	-	-	-	-	-	-	-	-	-	-	-	A/R	7	68-1963583-10	LENS / OPTIC / AMBER
-	A/R	-	-	-	-	-	-	-	-	-	-	-	-	-	-	-	-	A/R	8	68-1963583-20	LENS / OPTIC / BLUE
-	A/R	-	-	-	-	-	-	-	-	-	-	-	-	-	-	-	-	A/R	9	68-1963583-30	LENS / OPTIC / CLEAR
-	A/R	-	-	-	-	-	-	-	-	-	-	-	-	-	-	-	-	A/R	10	68-1963583-40	LENS / OPTIC / GREEN
-	A/R	-	-	-	-	-	-	-	-	-	-	-	-	-	-	-	-	A/R	11	68-1963583-50	LENS / OPTIC / RED
-	-	-	-	-	-	-	-	-	-	-	-	-	-	-	-	-	-	A/R	12	01-0263309-10	SUB ASSY / 500 LED NON-FLANGED STEADY / AMBER
-	-	-	-	-	-	-	-	-	-	-	-	-	-	-	-	-	-	A/R	13	01-0263309-20	SUB ASSY / 500 LED NON-FLANGED STEADY / BLUE
-	-	-	-	-	-	-	-	-	-	-	-	-	-	-	-	-	-	A/R	14	01-0263309-30	SUB ASSY / 500 LED NON-FLANGED STEADY / WHITE
-	-	-	-	-	-	-	-	-	-	-	-	-	-	-	-	-	-	A/R	15	01-0263309-40	SUB ASSY / 500 LED NON-FLANGED STEADY / GREEN
-	-	-	-	-	-	-	-	-	-	-	-	-	-	-	-	-	-	A/R	16	01-0263309-50	SUB ASSY / 500 LED NON-FLANGED STEADY / RED
-	-	-	-	-	-	-	-	-	-	-	-	-	-	-	-	-	-	A/R	17	01-0263309-15	SUB ASSY / 500 LED NON-FLANGED WIDE ANGLE / AMBER
-	-	-	-	-	-	-	-	-	-	-	-	-	-	-	-	-	-	A/R	18	01-0263309-25	SUB ASSY / 500 LED NON-FLANGED WIDE ANGLE / BLUE
-	-	-	-	-	-	-	-	-	-	-	-	-	-	-	-	-	-	A/R	19	01-0263309-35	SUB ASSY / 500 LED NON-FLANGED WIDE ANGLE / WHITE
-	-	-	-	-	-	-	-	-	-	-	-	-	-	-	-	-	-	A/R	20	01-0263309-45	SUB ASSY / 500 LED NON-FLANGED WIDE ANGLE / GREEN
-	-	-	-	-	-	-	-	-	-	-	-	-	-	-	-	-	-	A/R	21	01-0263309-55	SUB ASSY / 500 LED NON-FLANGED WIDE ANGLE / RED
-	-	-	-	-	-	-	-	-	-	-	-	-	-	-	-	-	-	A/R	22	01-0263309-37	SUB ASSY / 500 LED NON-FLANGED BACK-UP / WHITE
-	-	-	-	-	-	-	-	-	-	-	-	-	-	-	-	-	-	A/R	23	01-0263314-12	SUB ASSY / 500 LED NON-FLANGED CLEARANCE / AMBER
-	-	-	-	-	-	-	-	-	-	-	-	-	-	-	-	-	-	A/R	24	01-0263314-52	SUB ASSY / 500 LED NON-FLANGED CLEARANCE / RED
-	-	-	-	-	-	-	-	-	-	-	-	-	-	-	-	-	-	1	25	01-0263309-5B	SUB ASSY / 500 LED NON-FLANGED BRAKE-TAIL-TURN / MAX
-	-	-	-	-	-	-	-	-	-	-	-	-	-	-	-	-	-	1	26	01-0263316-12	SUB ASSY / 500 LED NON-FLANGED COMPARTMENT / 12 LEDs / WHITE
-	-	-	-	-	-	-	-	-	-	-	-	-	-	-	-	-	-	1	27	01-0263316-24	SUB ASSY / 500 LED NON-FLANGED COMPARTMENT / 24 LEDs / WHITE
-	-	-	-	-	-	-	-	-	-	-	-	-	-	-	-	-	-	1	28	01-0263316-48	SUB ASSY / 500 LED NON-FLANGED COMPARTMENT / 48 LEDs / WHITE
-	-	-	-	-	-	-	-	-	-	-	-	-	-	-	-	-	-	1	29	01-0263316-72	SUB ASSY / 500 LED NON-FLANGED COMPARTMENT / 72 LEDs / WHITE
1	1	1	1	1	1	1	1	1	1	1	1	1	1	1	1	1	1	30	10-0522797-__	LABEL / 500 SERIES LED NON FLANGED	
1	1	1	1	1	1	1	1	1	1	1	1	1	1	1	1	1	1	31	38-0222786-00	GASKET	
-	-	-	-	-	-	-	-	-	-	-	-	-	-	-	-	-	-	-	32	01-0263309-39	SUB ASSY / 500 LED NON-FLANGED COMPARTMENT / WHITE
-	-	-	-	-	-	-	-	-	-	-	-	-	-	-	-	-	-	-	33	68-1963546-30	LENS / OPTIC SCENE - CLEAR
-	-	-	-	-	-	-	-	-	-	-	-	-	-	-	-	-	-	-	34	02-0363309155	SUB ASSY / 500 LED NON-FLANGED WIDE ANGLE / RED / DEUTSCH
-	-	-	-	-	-	-	-	-	-	-	-	-	-	-	-	-	-	-	35	02-0363309137	SUB ASSY / 500 LED NON-FLANGED BACK-UP / WHITE / DEUTSCH
-	-	-	-	-	-	-	-	-	-	-	-	-	-	-	-	-	-	-	36	01-0263309-3G	SUB ASSY / 500 LED NON-FLANGED BACK-UP / 24V / WHITE
-	-	-	-	-	-	-	-	-	-	-	-	-	-	-	-	-	-	-	37	02-036330913G	SUB ASSY / 500 LED NON-FLANGED BACK-UP / 24V / WHITE / DEUTSCH
-	-	-	-	-	-	-	-	-	-	-	-	-	-	-	-	-	-	-	38	68-1963428-30	LENS / OPTIC 45° / CLEAR
-	-	-	-	-	-	-	-	-	-	-	-	-	-	-	-	-	-	-	39	01-0263309-1K	LENS / OPTIC SCENE - CLEAR
-	-	-	-	-	-	-	-	-	-	-	-	-	-	-	-	-	-	-	40	01-0263309-2K	SUB ASSY / 500 LED NON-FLANGED WIDE ANGLE / RED / DEUTSCH
-	-	-	-	-	-	-	-	-	-	-	-	-	-	-	-	-	-	-	41	01-0263309-3K	SUB ASSY / 500 LED NON-FLANGED BACK-UP / WHITE / DEUTSCH
-	-	-	-	-	-	-	-	-	-	-	-	-	-	-	-	-	-	-	42	01-0263309-4K	SUB ASSY / 500 LED NON-FLANGED BACK-UP / 24V / WHITE
-	-	-	-	-	-	-	-	-	-	-	-	-	-	-	-	-	-	-	43	01-0263309-5K	SUB ASSY / 500 LED NON-FLANGED BACK-UP / 24V / WHITE / DEUTSCH
1	-	-	-	-	-	-	-	-	-	-	-	-	-	-	-	-	-	-	44	01-0263309-5E	LENS / OPTIC 45° / CLEAR

Wiring:

- Brake-Tail -Turn 24V**
 - WHT-VIO — Scan-Lock
 - BROWN — +24VDC / TAIL
 - YELLOW — +24VDC / STOP-TURN
 - WHT-BLK — (-) GROUND
- Back-Up 24V**
 - WHITE — +24VDC
 - BLK-WHT — (-) GROUND
- Brake-Tail -Turn 24V**
 - BROWN — +12VDC / TAIL
 - YELLOW — +12VDC / STOP-TURN
 - WHITE — (-) GROUND
- Steady 12V**
 - LED Color — +12VDC
 - BLACK — (-) GROUND
- Wide Angle 12V**
 - WHT-VIO — Scan-Lock
 - LED Color — +12VDC
 - BLACK — (-) GROUND
- Wide Angle 24V**
 - WHT-VIO — Scan-Lock
 - LED Color — +24VDC
 - BLK-WHT — (-) GROUND

